

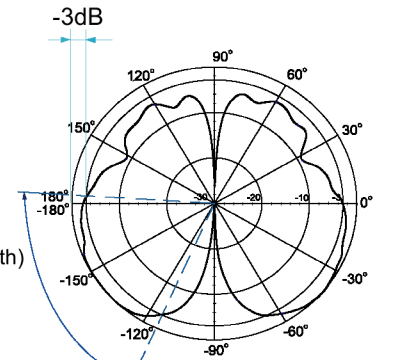
WLAN Indoor Ceiling Mount Omni-Directional Antenna

Version 1.0

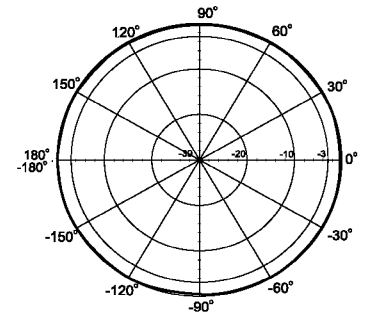
ANT24-0401

Electrical Specification

Frequency range	2400 MHz - 2500 MHz
Gain	3.5 dBi
VSWR	1.8 : 1 Max.
Polarization	Linear, vertical
HPBW / horizontal	360°
HPBW / vertical	63° (each lobe, 2 lobes)
Downtilt	40°
Power handling	20 W (cw)
Impedance	50 Ohms
Connector	SMA female



Vertical Pattern@2.45 GHz



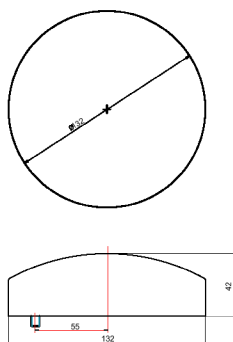
Horizontal Pattern @2.45 GHz

HPBW(Half-Power Beamwidth)
 $10 \text{ Log} (P_{1/2\text{max}}/P_{\text{max}}) = -3 \text{ dB}$
 $(\because \text{Log}(1/2) = -0.301)$

Environmental & Mechanical Characteristics

Temperature	- 40° C to +80° C
Humidity	100% @ 25° C
Lightning protection	DC ground
Radome color	White
Radome material	ABS
Weight	100 gw
Dimensions	∅132 x 42 mm

Dimensions (mm)



Mounting Configuration

